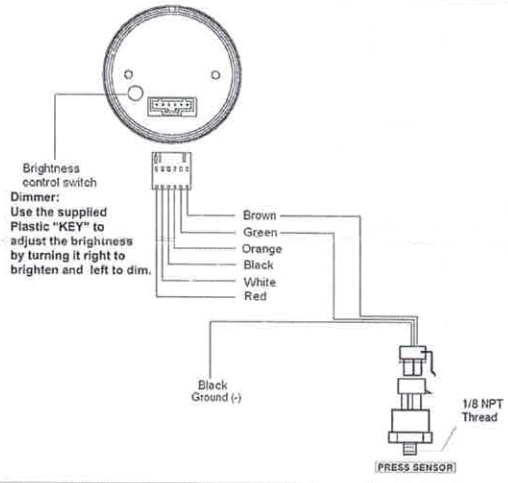


# EVO Series Oil Pressure

## Green/White Display



### Wiring Instructions

- Red Wire-** 12v Accessory Power
- White Wire-** 12v Accessory Power
- Black Wire-** Ground
- Orange Wire-** 12v Headlight Switched Power (This is a power source that only gets power when headlights are on)

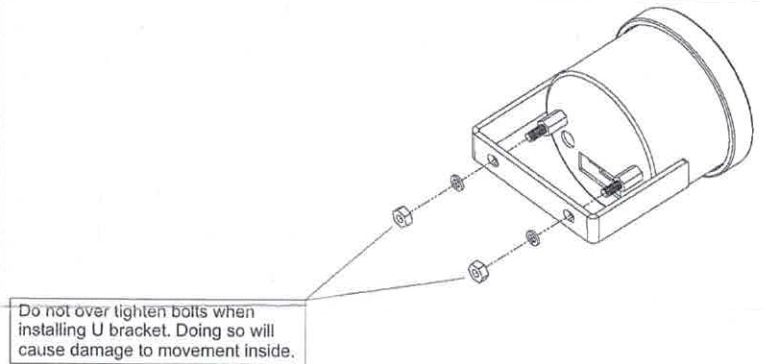
\*The above wiring instructions will yield white in the day and green at night  
**Installing the sensor:**

Oil pressure sender thread pitch is 1/8th NPT It is suppose to become tighter when installing. Please do not over tighten the sensor.

- Black** to chassis ground
- Brown** from sender to brown on gauge harness.
- Green** from sender to green on gauge harness.

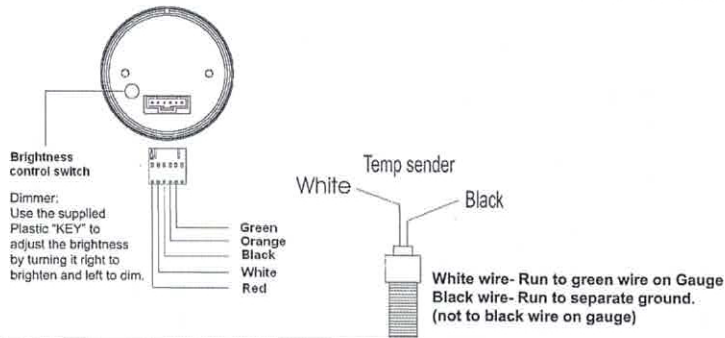
### Lighting Options

Day Time	Night Time	Installation
White	White	White-- Connect to acc. Power Orange-- Do not connect
Green	Green	White-- Do not connect Orange-- Connect to acc. Power
White	Green	White-- Connect to acc. Power Orange-- Connect to Headlight Switched Power White-- Connect to Headlight Switched Power
Green	White	Orange-- Connect to acc. Power



# EVO Series Oil Temp and Water Temp

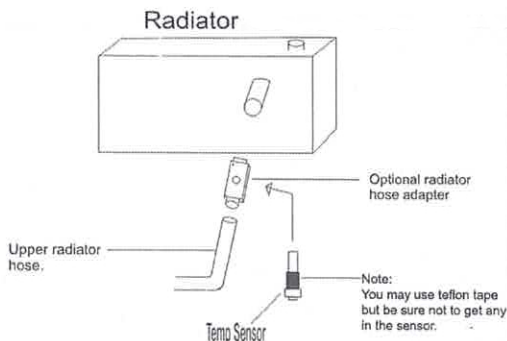
## Green/White Display



### Wiring Instructions

- Red Wire-** 12v Accessory Power
- White Wire-** 12v Accessory Power
- Black Wire-** Ground
- Orange Wire-** 12v Headlight Switched Power (This is a power source that only gets power when headlights are on)

**Green Wire-** Run to the White wire on the sensor.  
 Temp sensor thread pitch is 1/8th NPT. It is suppose to become tighter when installing. Please do not over tighten the sensor.



~Optional  
 Oil adapter plate sold Separate

