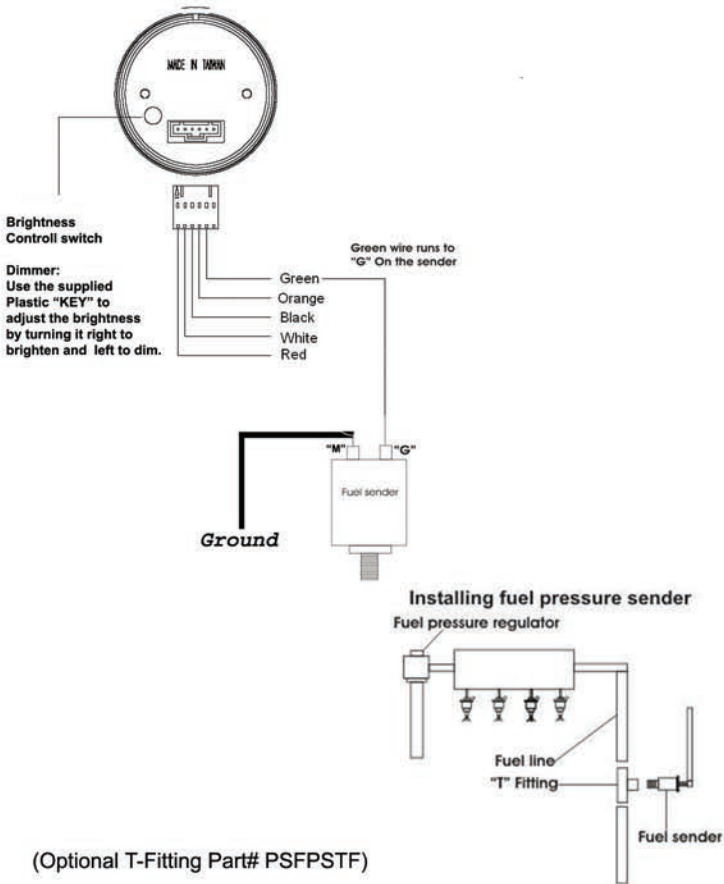


## EVO Series Fuel Pressure Blue / Red Display



### Wiring Instructions

**Red Wire-** 12v Accessory Power

**White Wire-** 12v Accessory Power

**Black Wire-** Ground

**Orange Wire-** 12v Headlight Switched Power  
(This is a power source that only gets power when headlights are on)

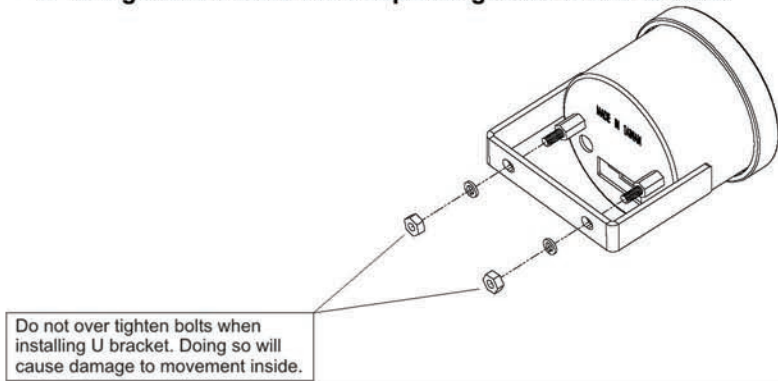
**Green Wire-** Runs to the "G" Terminal on the pressure sensor

#### **Installing the sensor:**

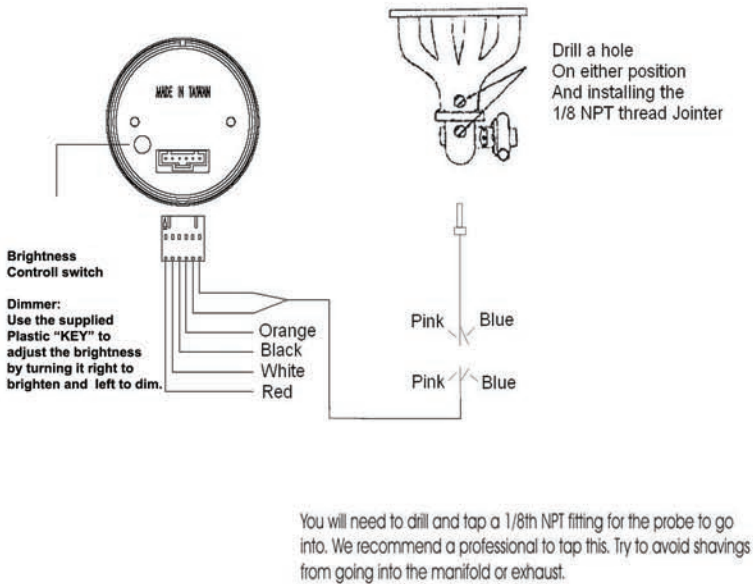
You will notice there are two terminal posts on the pressure sensor. Fuel pressure sender thread pitch is 1/8th NPT. It is supposed to become tighter when installing, Please do not over tighten the sensor.

"G" is the signal wire (connect Green wire to "G")

"M" is a ground. Please run a separate ground to this terminal



## EVO Series Exhaust Gas Temp. Gauge Blue / Red Display



### Wiring Instructions

**Red Wire-** 12v Accessory Power

**White Wire-** 12v Accessory Power

**Black Wire-** Ground

**Orange Wire-** 12v Headlight Switched Power  
(This is a power source that only gets power when headlights are on)

**Pink Wire-** Connects to Pink wire on sensor

**Blue Wire-** Connects to Blue wire on sensor

### *Lighting Options*

Day Time	Night Time	Installation
Blue	Blue	White-- Connect to acc. Power
		Orange-- Do not connect
Red	Red	White-- Do not connect
		Orange-- Connect to acc. Power
Blue	Red	White-- Connect to acc. Power
		Orange-- Connect to Headlight Switched Power
Red	Blue	White-- Connect to Headlight Switched Power
		Orange-- Connect to acc. Power