

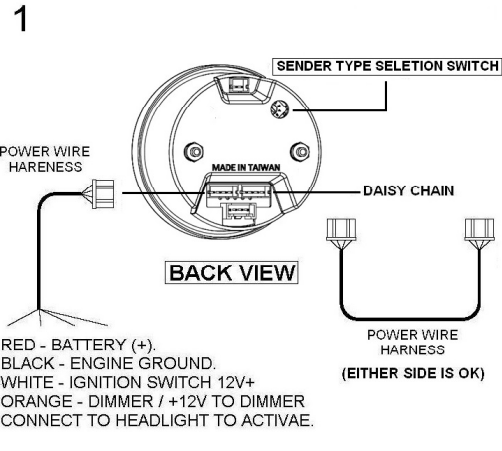
INSTALLATION INSTRUCTIONS

ELECTRICAL GAUGES W/WARNING & PEAK

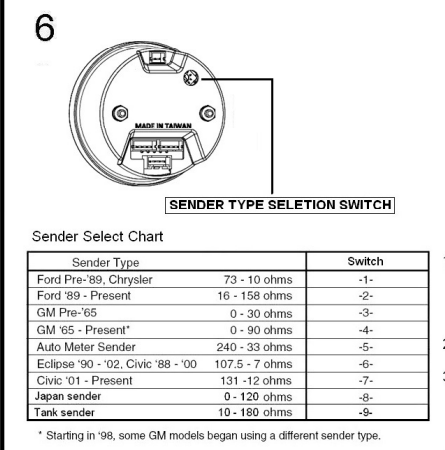
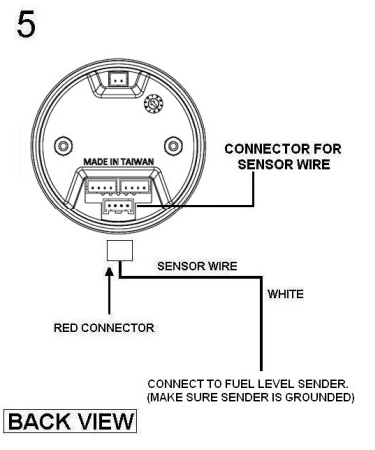
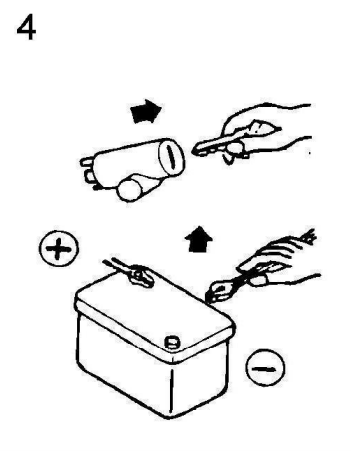
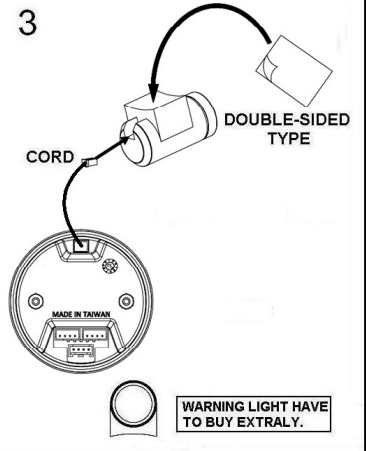
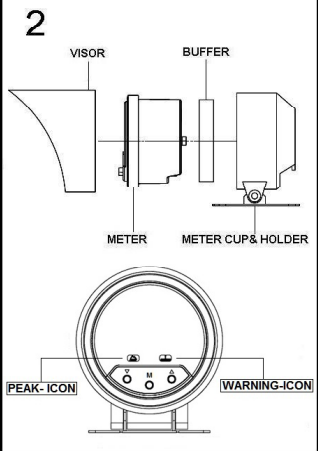
52mm LCD EVO SERIES WHITE / RED / GREEN / BLUE LED DISPLAY

Fuel Level Gauge

OPENING CEREMONY



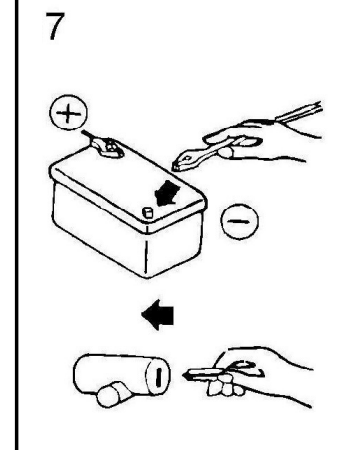
RED - BATTERY (+).
BLACK - ENGINE GROUND.
WHITE - IGNITION SWITCH 12V+
ORANGE - DIMMER / +12V TO DIMMER
CONNECT TO HEADLIGHT TO ACTIAE.



1. Selecting number of Fuel Level sender type:
Setting the sender type for 1~9 type operation is achieved simply by sliding the switch, locator on back of the gauge body, to coincide with the appropriate number of fuel sender of the car.

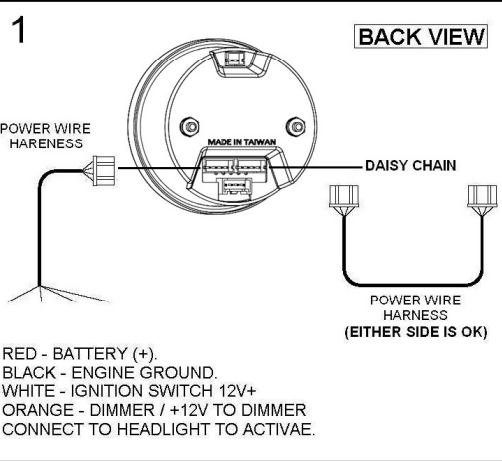
2. switch position:
See the sender select chart

3. The red or black wire MUST be removed before adjustment to the sender setting is made from the sender selector switch.

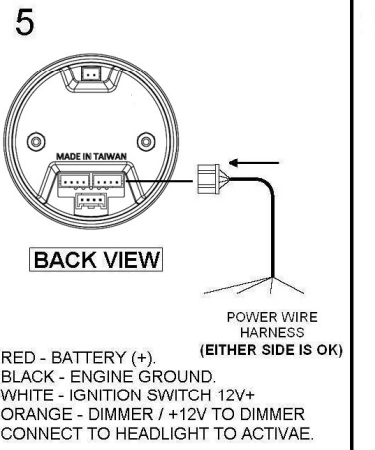
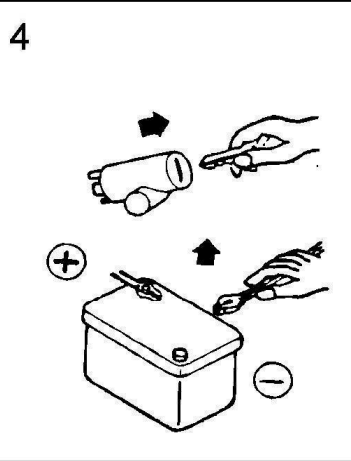
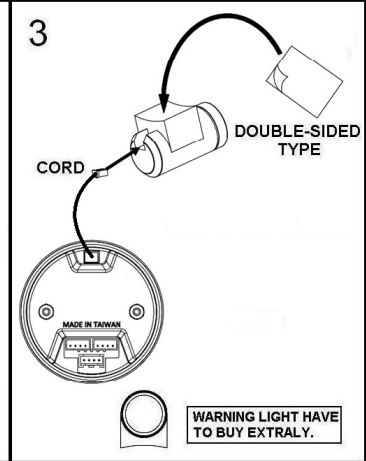
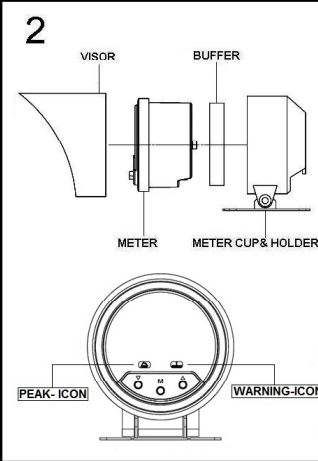


Voltmeter

OPENING CEREMONY



RED - BATTERY (+).
BLACK - ENGINE GROUND.
WHITE - IGNITION SWITCH 12V+
ORANGE - DIMMER / +12V TO DIMMER
CONNECT TO HEADLIGHT TO ACTIAE.



RED - BATTERY (+).
BLACK - ENGINE GROUND.
WHITE - IGNITION SWITCH 12V+
ORANGE - DIMMER / +12V TO DIMMER
CONNECT TO HEADLIGHT TO ACTIAE.

