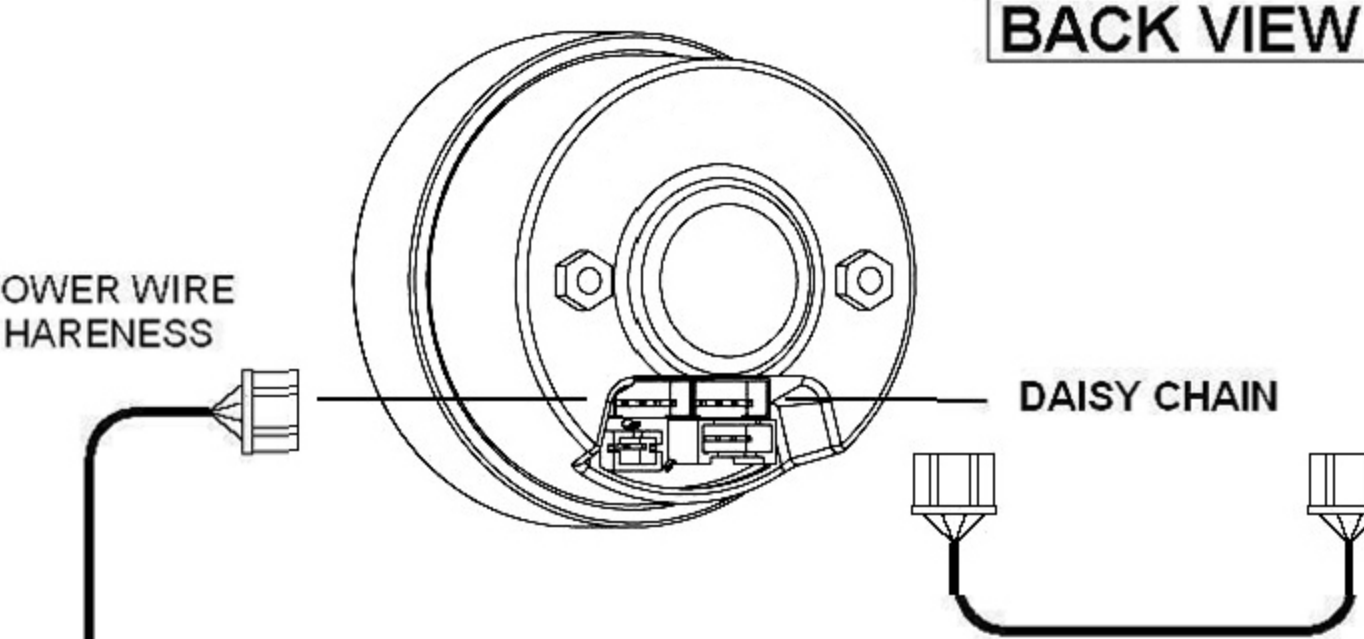
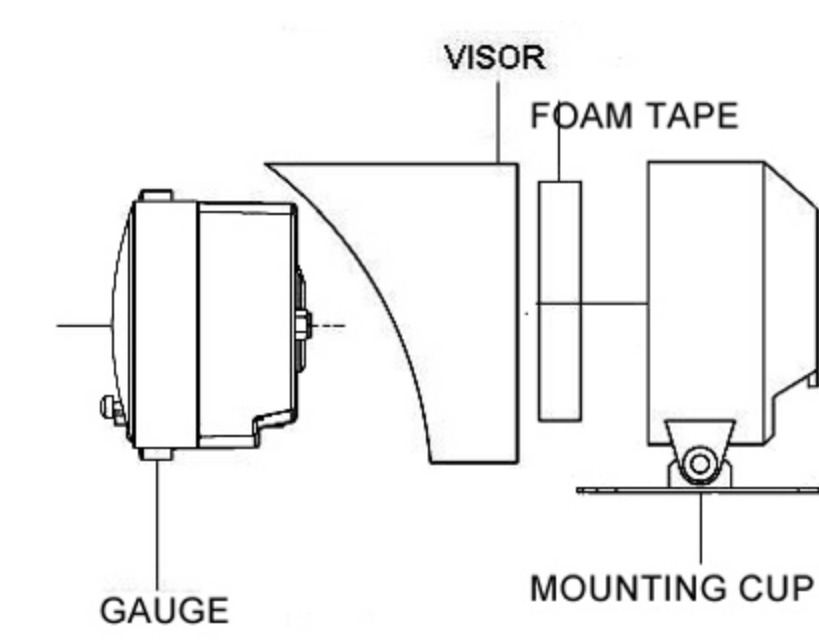
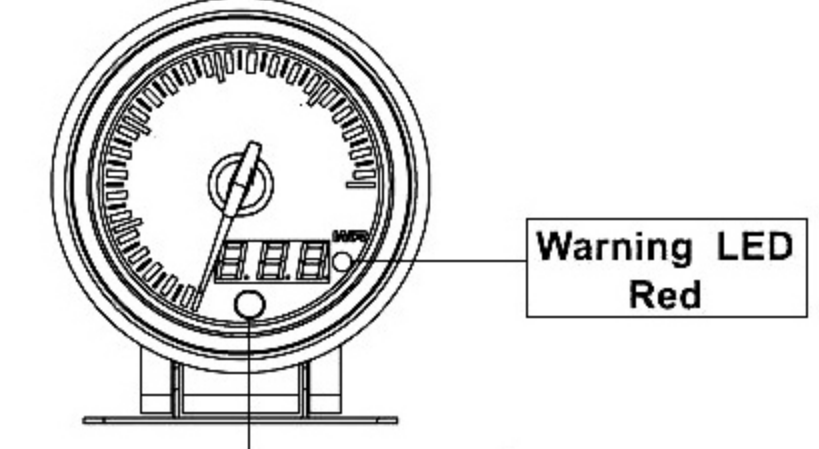
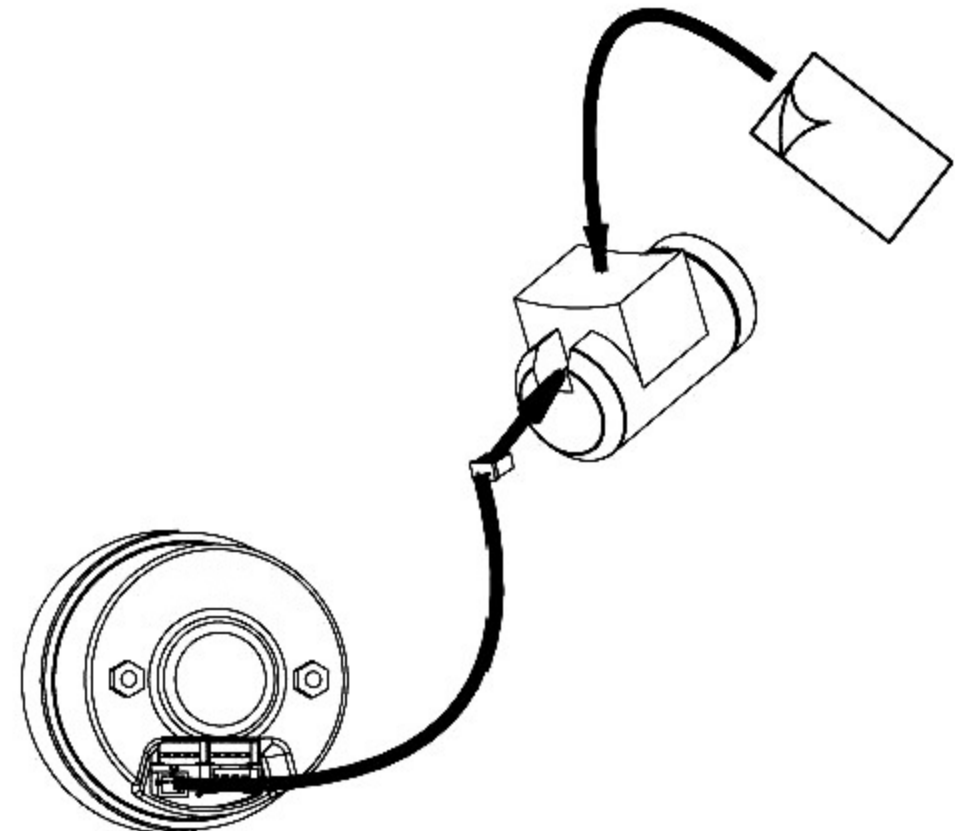
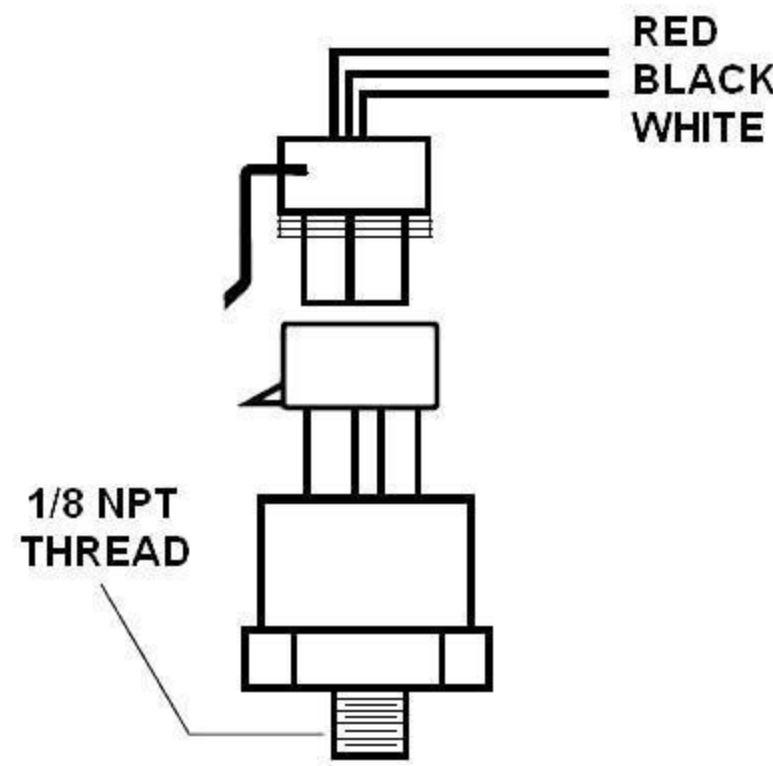
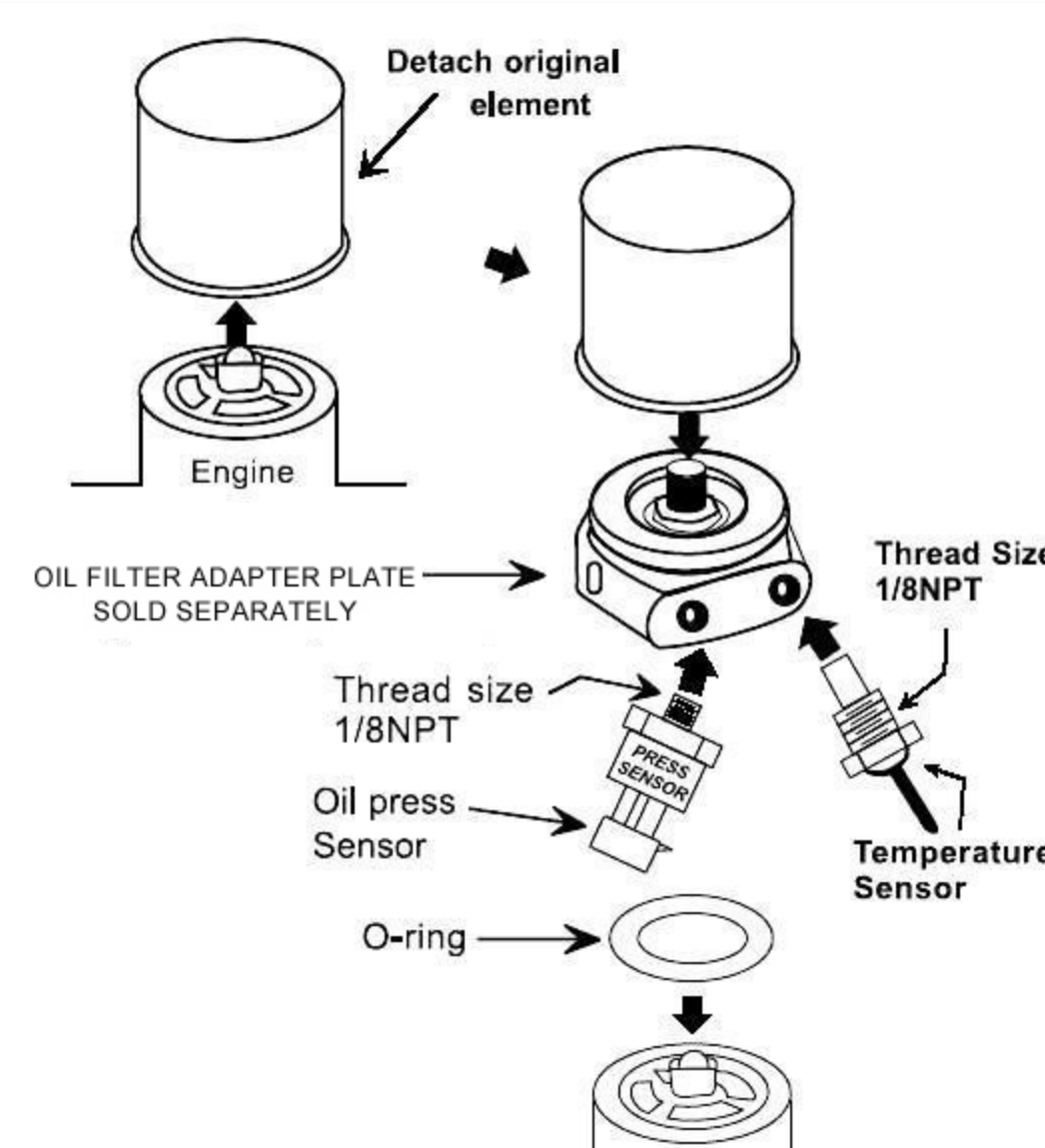
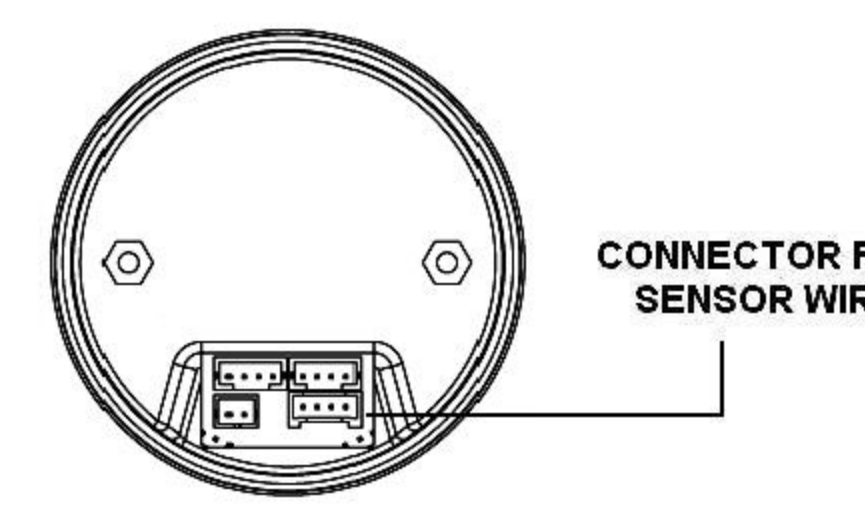


# INSTALLATION INSTRUCTIONS

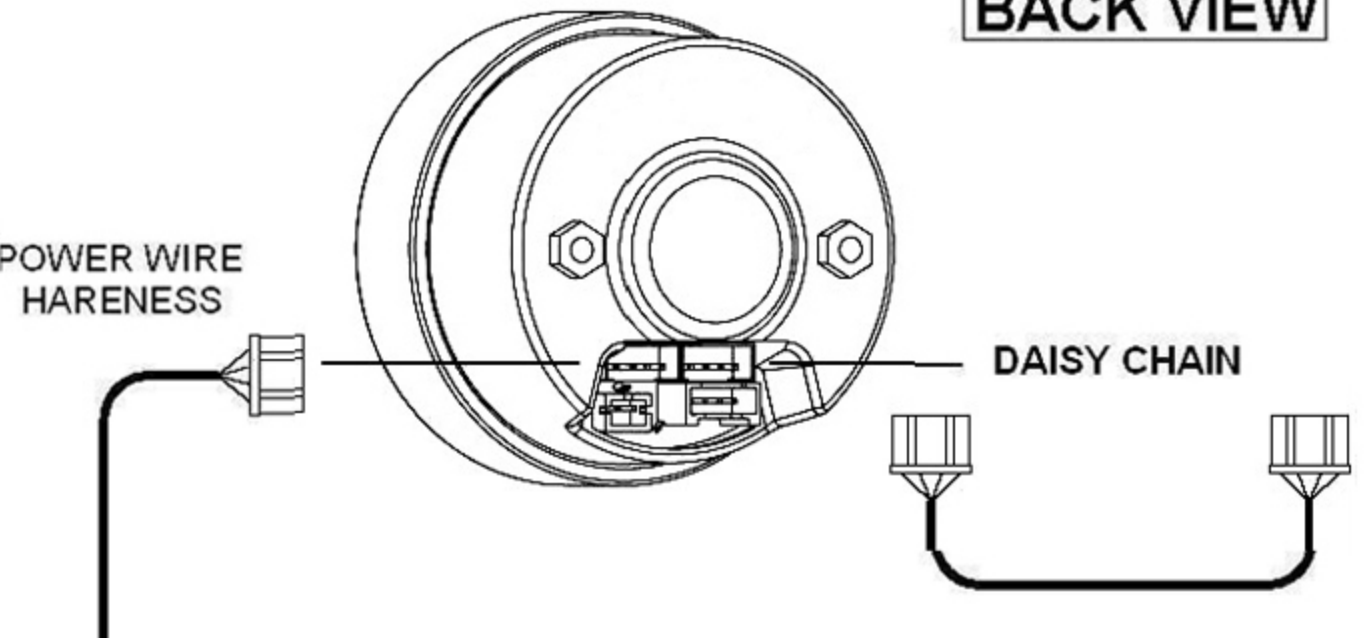
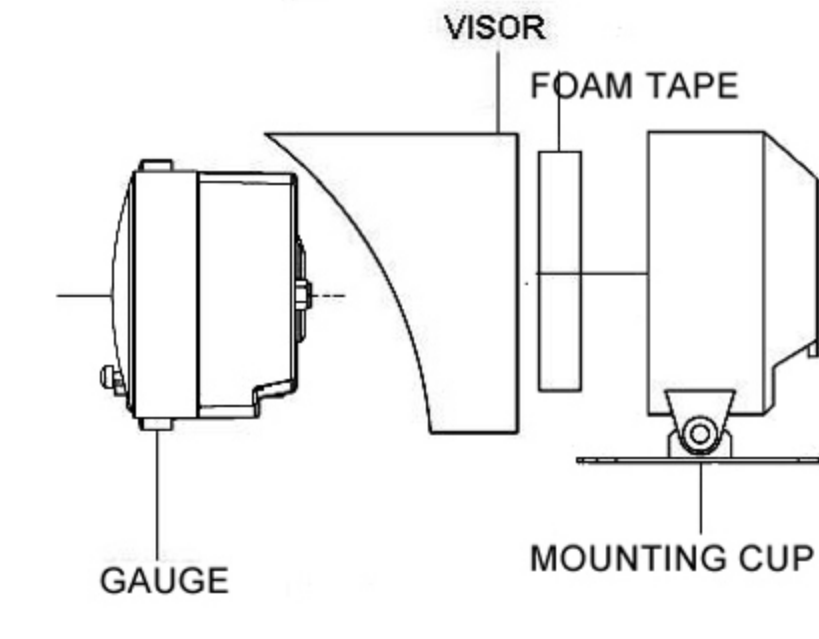
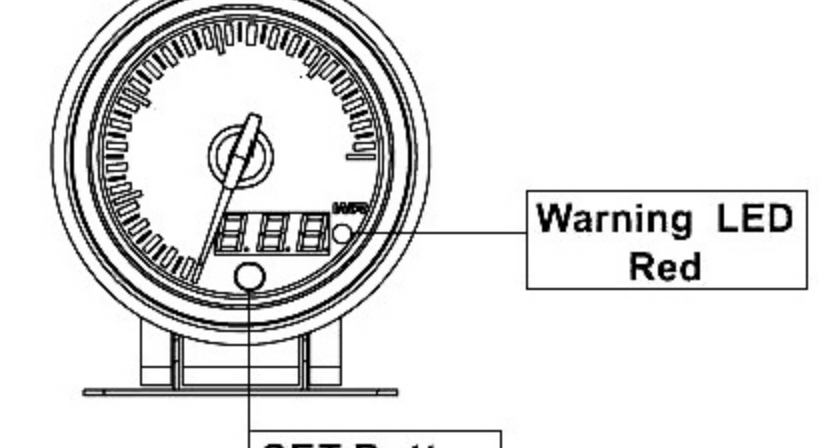
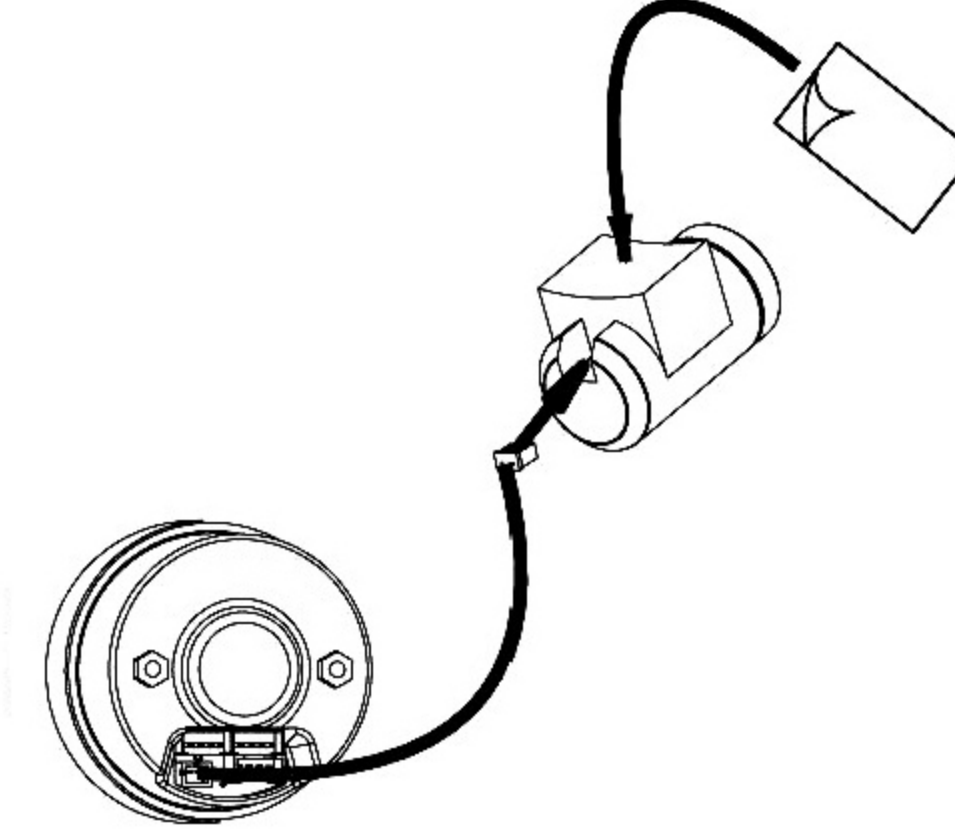
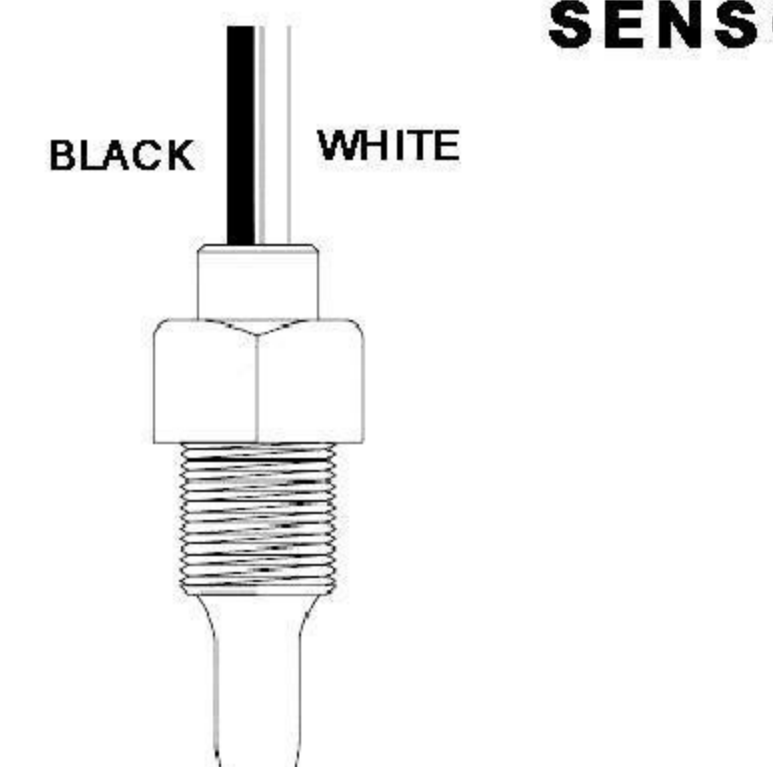
60mm JDM SERIES WHITE / AMBER LED DISPLAY

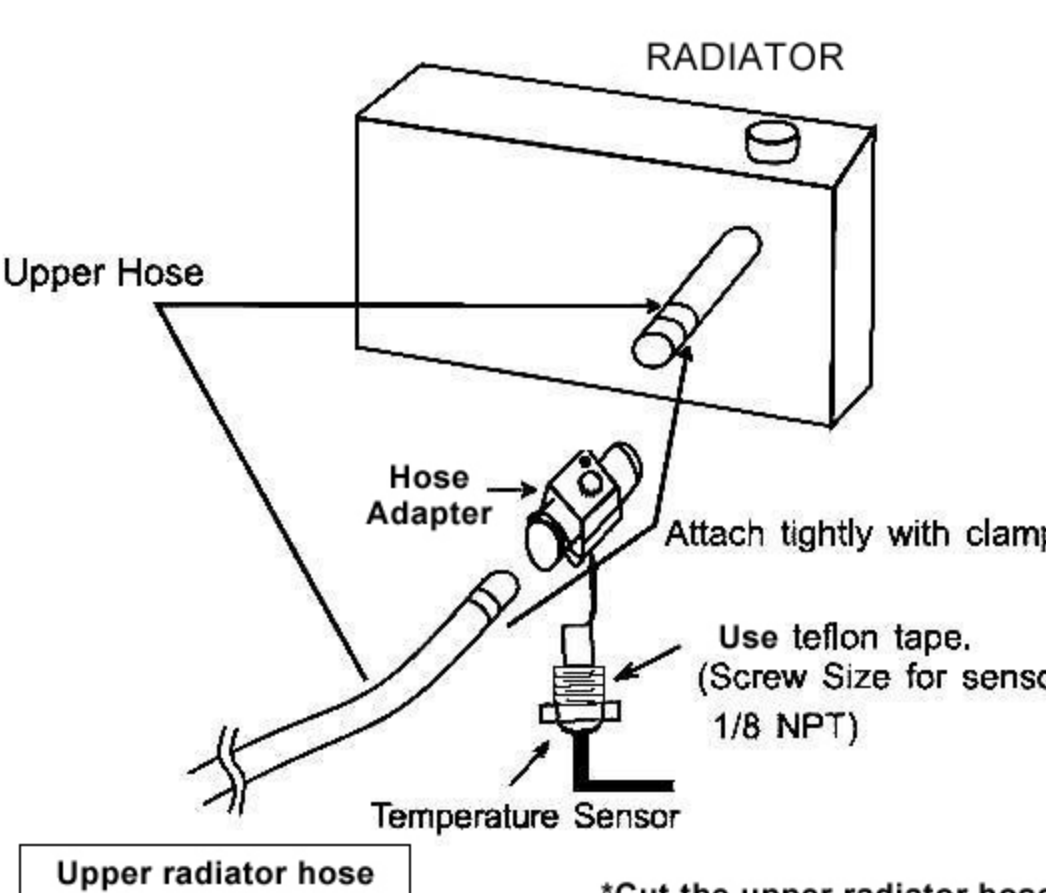
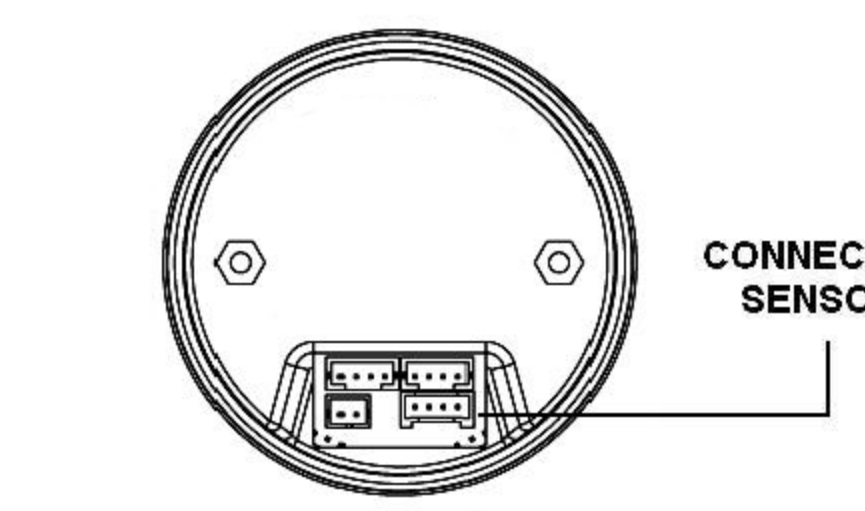
## Oil Pressure Gauge

<p><b>BACK VIEW</b></p>  <p>POWER WIRE HARENESS</p> <p>DAISY CHAIN</p> <p>INCLUDED DAISY CHAIN USED TO POWER ADDITIONAL GAUGES</p> <p>RED - Constant 12v BLACK - Ground WHITE - Accessory 12v ORANGE - 12v Headlight switch (For dimming at night)</p>	 <p>VISOR</p> <p>FOAM TAPE</p> <p>GAUGE</p> <p>MOUNTING CUP</p>  <p>Warning LED Red</p> <p>SET Button</p>	<p>DOUBLE SIDED TAPE</p>  <p>OPTIONAL EXTERNAL WARNING LIGHT SOLD SEPARATELY</p>	 <p>RED BLACK WHITE</p> <p>1/8 NPT THREAD</p> <p><b>PRESS SENSOR</b></p>
--	--	---	---

 <p>Detach original element</p> <p>Engine</p> <p>OIL FILTER ADAPTER PLATE SOLD SEPARATELY</p> <p>Thread size 1/8NPT</p> <p>Oil press Sensor</p> <p>O-ring</p> <p>Temperature Sensor</p>	<p><b>BACK VIEW</b></p>  <p>CONNECTOR FOR SENSOR WIRE</p> <p>SENSOR WIRE</p> <p>BLACK CONNECTOR</p> <p>BLACK RED WHITE</p> <p><b>OIL PRESS SENSOR</b></p>		
---	--	--	--

## Oil / Water Temperature Gauge

<p><b>BACK VIEW</b></p>  <p>POWER WIRE HARENESS</p> <p>DAISY CHAIN</p> <p>INCLUDED DAISY CHAIN USED TO POWER ADDITIONAL GAUGES</p> <p>RED - Constant 12v BLACK - Ground WHITE - Accessory 12v ORANGE - 12v Headlight switch (For dimming at night)</p>	 <p>VISOR</p> <p>FOAM TAPE</p> <p>GAUGE</p> <p>MOUNTING CUP</p>  <p>Warning LED Red</p> <p>SET Button</p>	<p>DOUBLE SIDED TAPE</p>  <p>OPTIONAL EXTERNAL WARNING LIGHT SOLD SEPARATELY</p>	<p><b>TEMP SENSOR</b></p>  <p>BLACK WHITE</p> <p>WHITE-CONNECT TO SENSOR WIRE WHITE WIRE. BLACK-CONNECT TO SENSOR WIRE BLACK WIRE.</p>
--	---	---	---

 <p>RADIATOR</p> <p>Upper Hose</p> <p>Hose Adapter</p> <p>Attach tightly with clamps.</p> <p>Use teflon tape. (Screw Size for sensor 1/8 NPT)</p> <p>Temperature Sensor</p> <p>Upper radiator hose adapter sold separately</p> <p>*Cut the upper radiator hose and insert the adapter - Use supplied clamps to secure.</p>	<p><b>BACK VIEW</b></p>  <p>CONNECTOR FOR SENSOR WIRE</p> <p>SENSOR WIRE</p> <p>BLUE CONNECTOR</p> <p>BLACK WHITE</p> <p><b>TEMP SENSOR</b></p>		<p>WWW.RSPEC.CO.UK</p>
--	--	--	------------------------