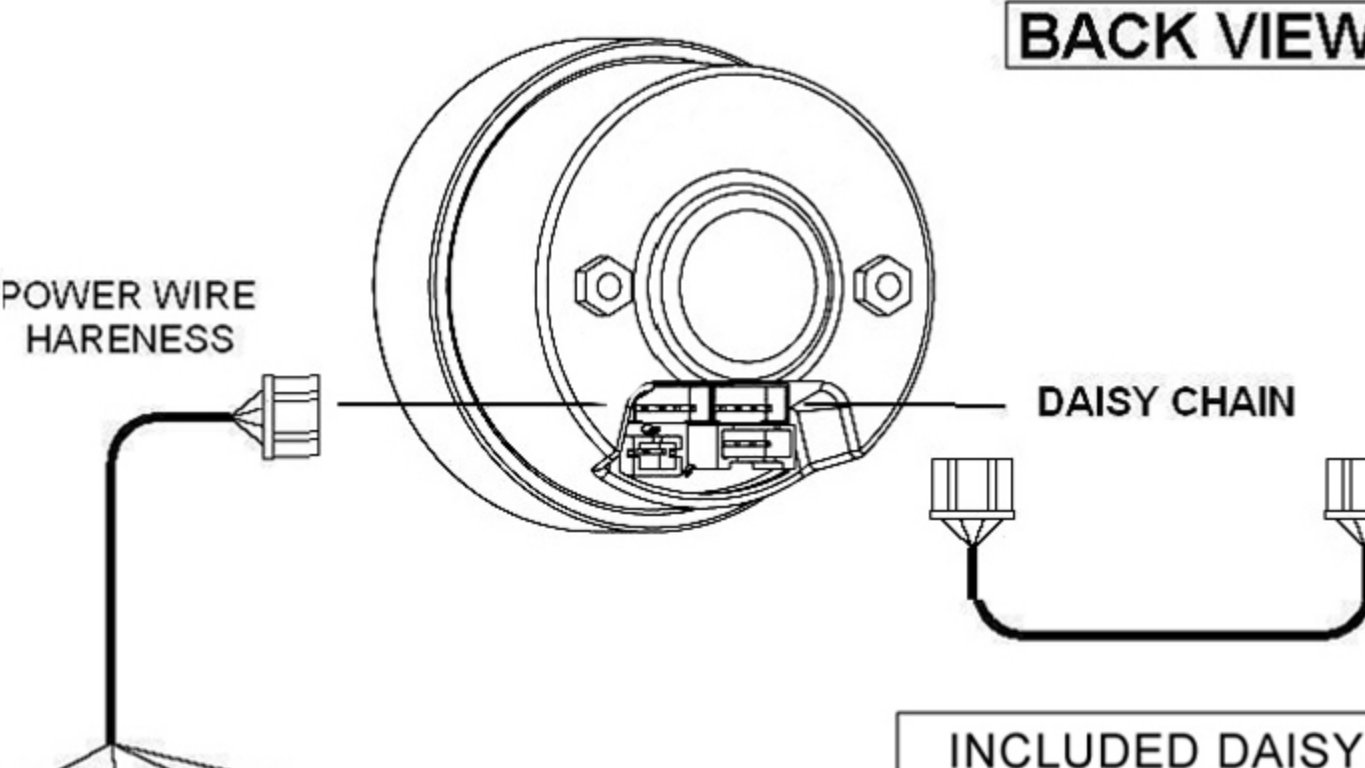
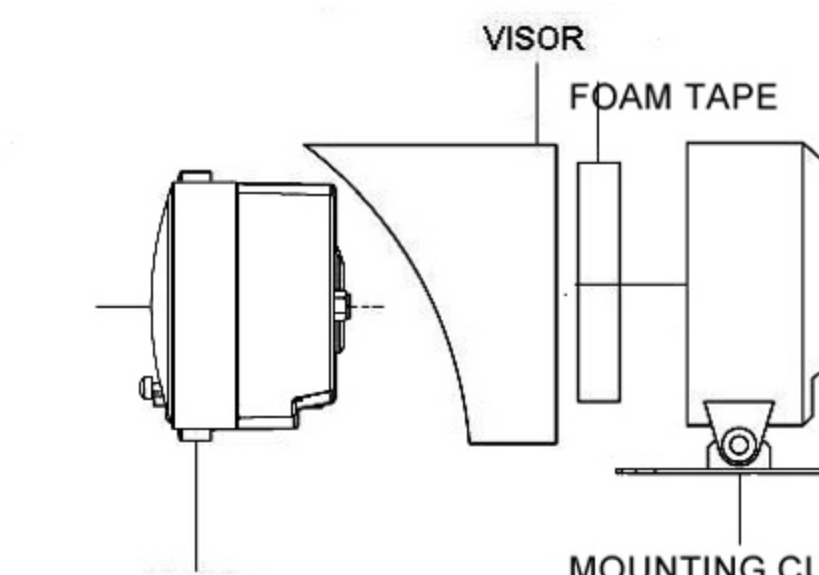
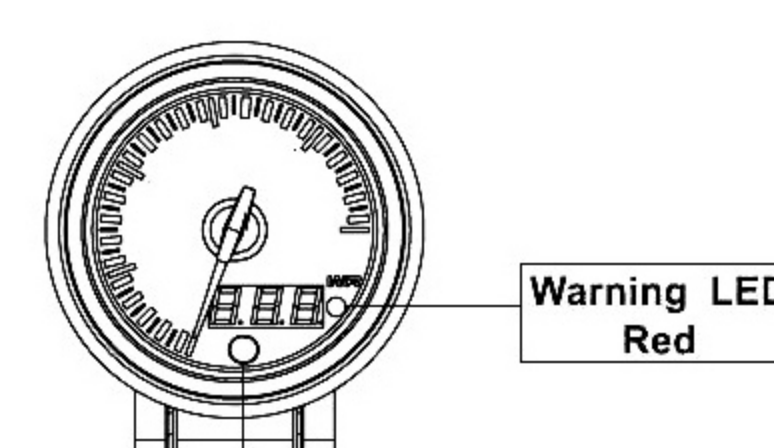
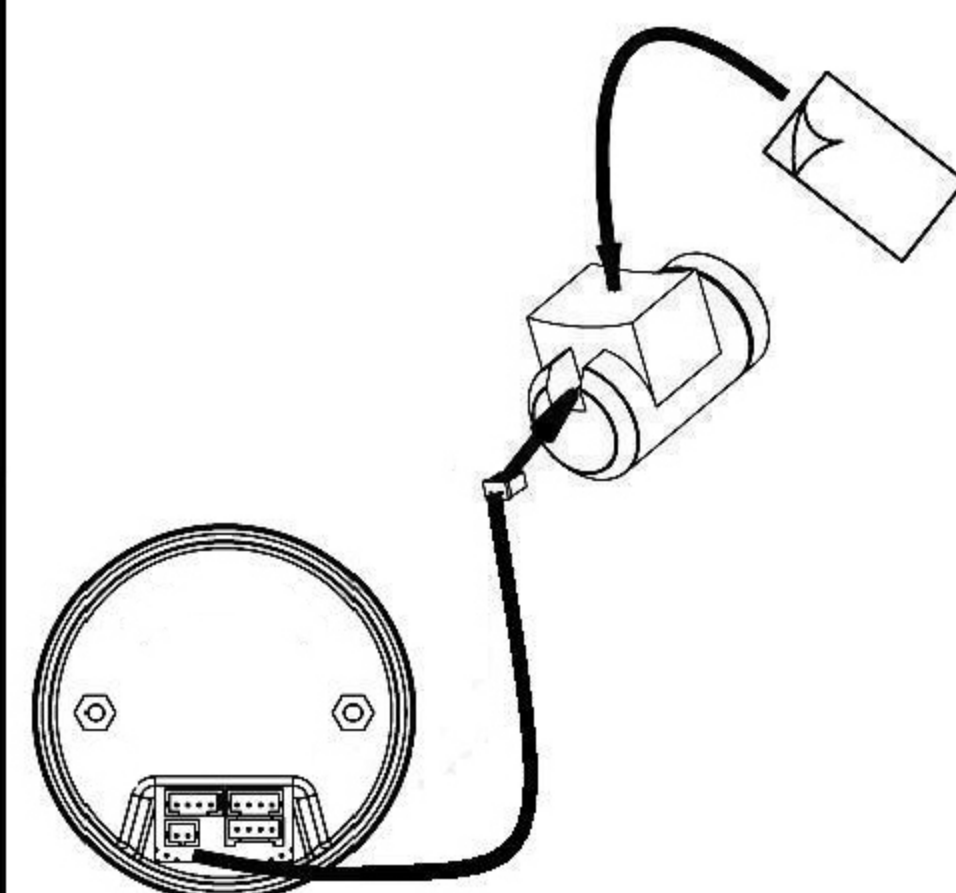


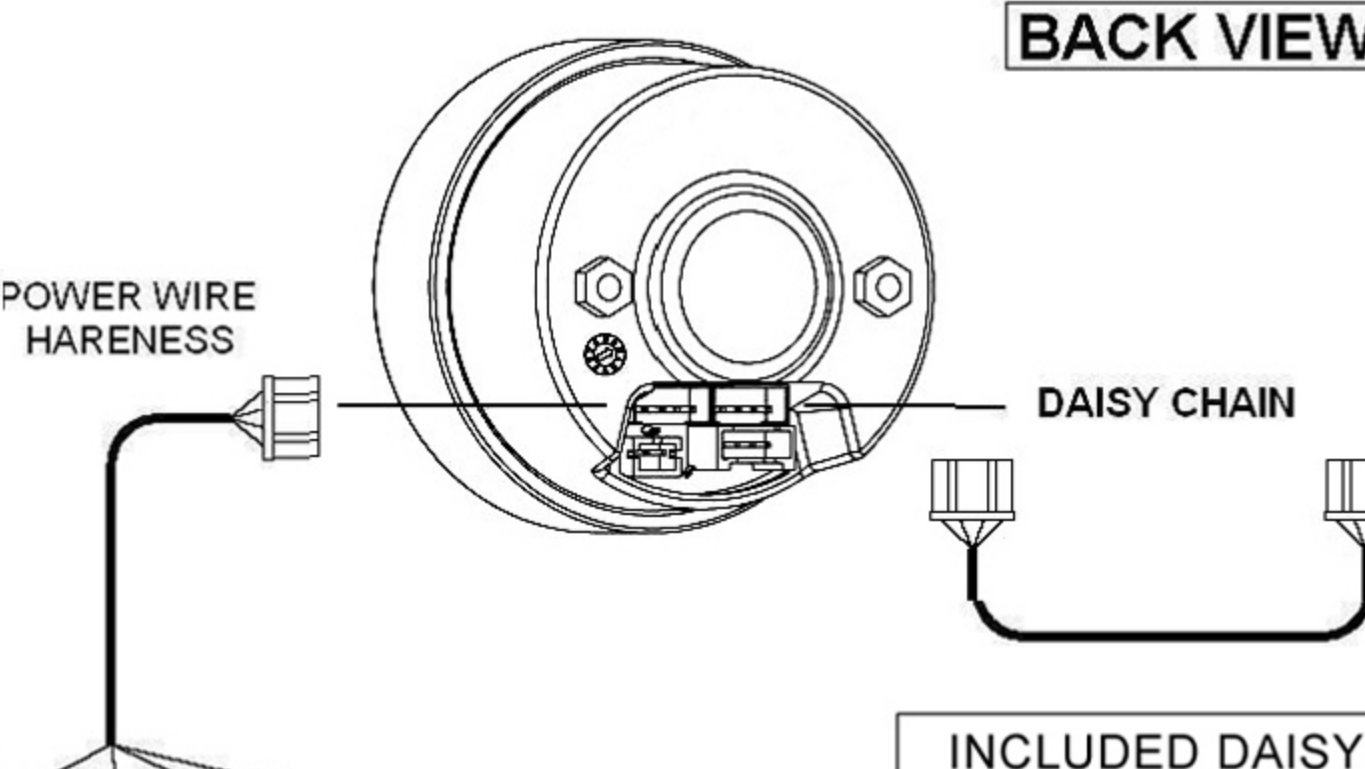
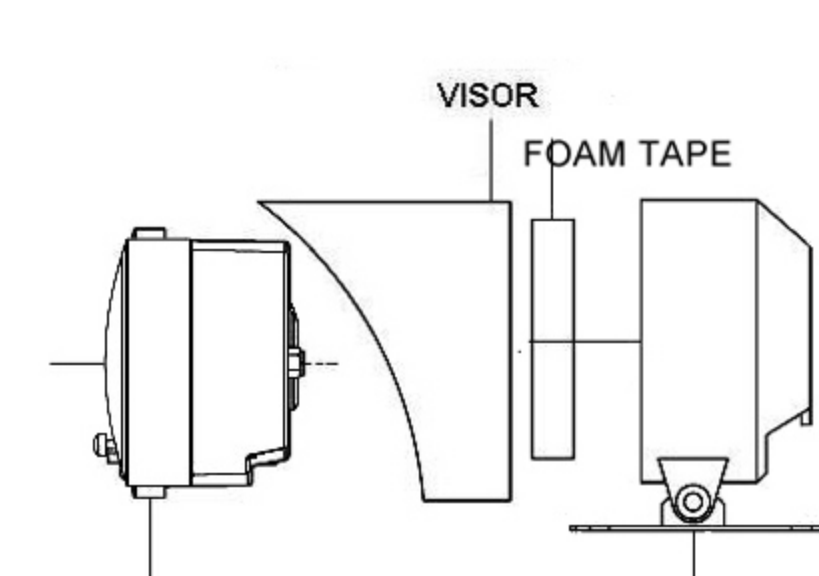
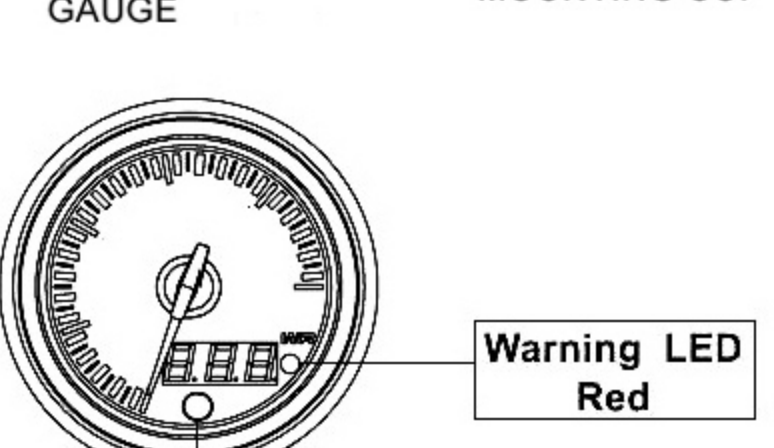
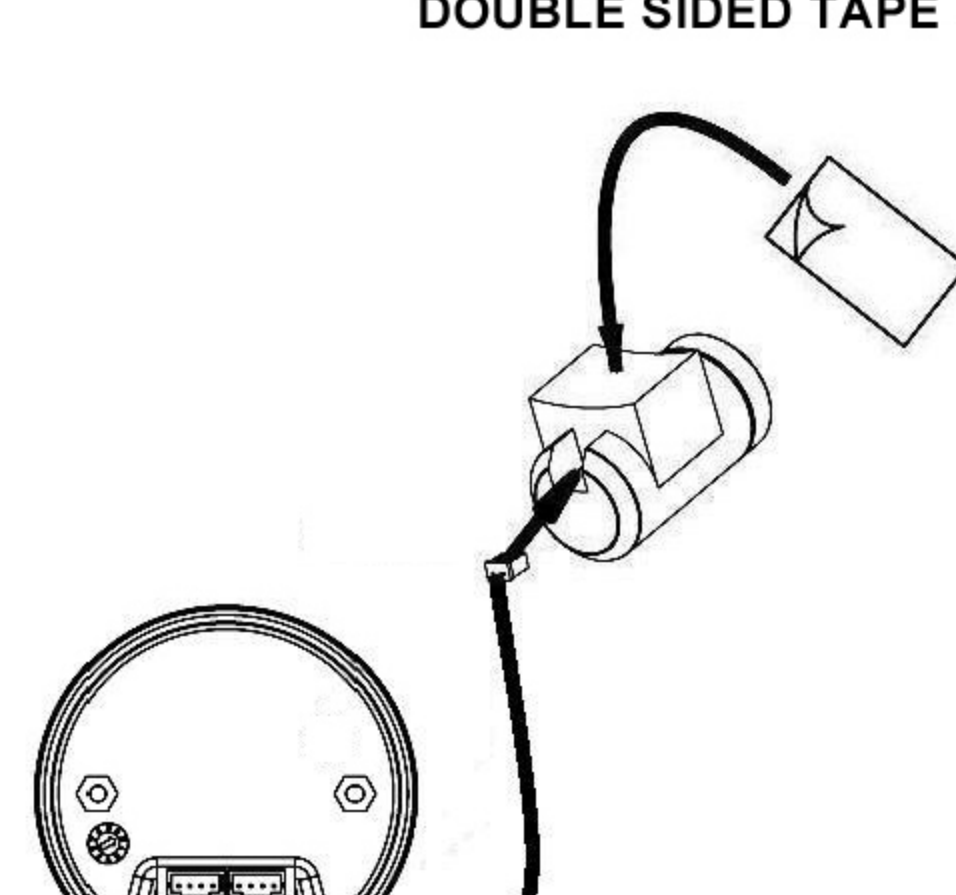
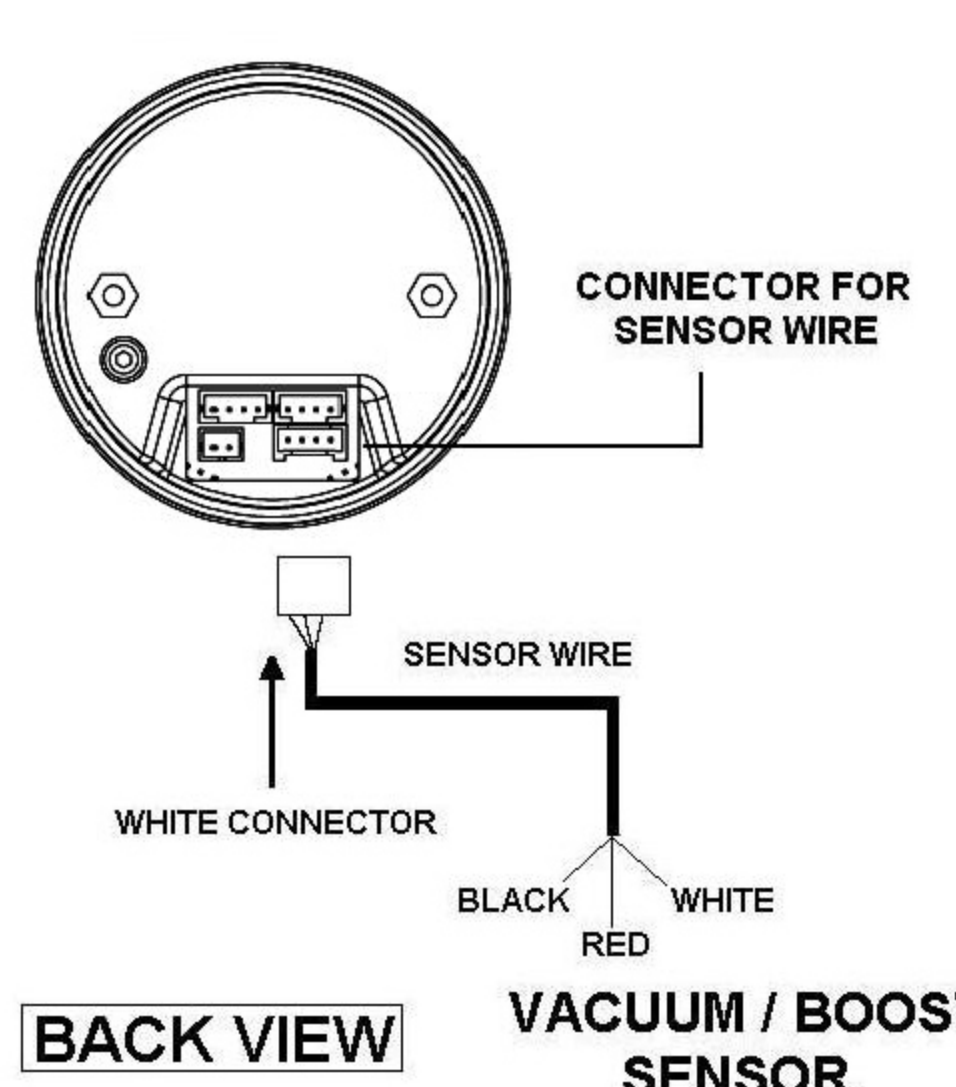
# INSTALLATION INSTRUCTIONS

60mm JDM SERIES WHITE / AMBER LED DISPLAY

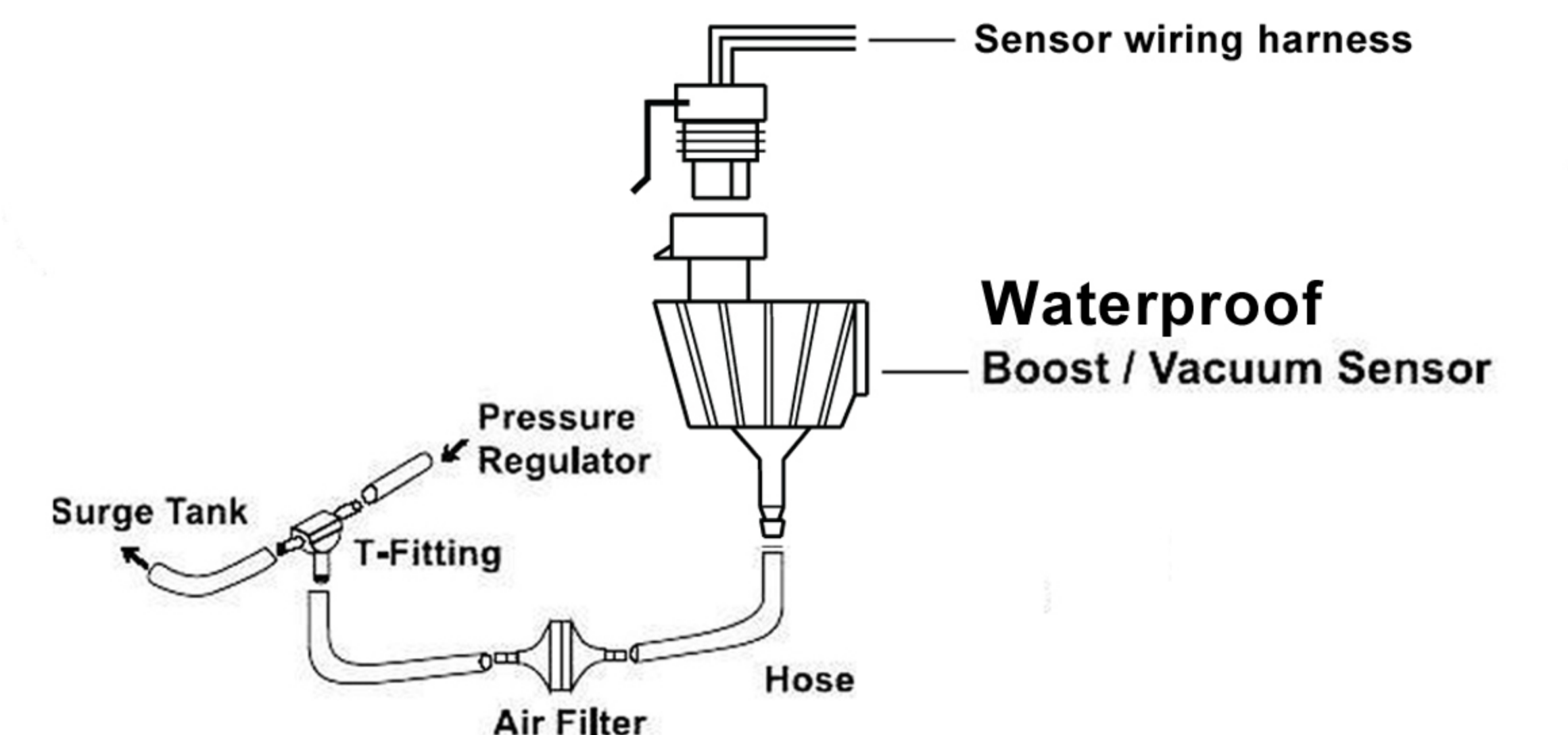
## Volt Gauge

<p><b>BACK VIEW</b></p>  <p>POWER WIRE HARENESS</p> <p>DAISY CHAIN</p> <p>INCLUDED DAISY CHAIN USED TO POWER ADDITIONAL GAUGES</p> <p>RED - Constant 12v BLACK - Ground WHITE - Accessory 12v ORANGE - 12v Headlight switch (For dimming at night)</p>	 <p>VISOR</p> <p>FOAM TAPE</p> <p>GAUGE</p> <p>MOUNTING CUP</p>  <p>Warning LED Red</p> <p>SET Button</p>	<p><b>DOUBLE SIDED TAPE</b></p>  <p>OPTIONAL EXTERNAL WARNING LIGHT SOLD SEPARATELY</p>	
--	---	--	--

## Boost / Vacuum Gauge

<p><b>BACK VIEW</b></p>  <p>POWER WIRE HARENESS</p> <p>DAISY CHAIN</p> <p>INCLUDED DAISY CHAIN USED TO POWER ADDITIONAL GAUGES</p> <p>RED - Constant 12v BLACK - Ground WHITE - Accessory 12v ORANGE - 12v Headlight switch (For dimming at night)</p>	 <p>VISOR</p> <p>FOAM TAPE</p> <p>GAUGE</p> <p>MOUNTING CUP</p>  <p>Warning LED Red</p> <p>SET Button</p>	<p><b>DOUBLE SIDED TAPE</b></p>  <p>OPTIONAL EXTERNAL WARNING LIGHT SOLD SEPARATELY</p>	<p><b>BACK VIEW</b></p>  <p>CONNECTOR FOR SENSOR WIRE</p> <p>SENSOR WIRE</p> <p>WHITE CONNECTOR</p> <p>BLACK RED WHITE</p> <p>VACUUM / BOOST SENSOR</p>
--	---	--	--

## BOOST INSTALLATION



Sensor wiring harness

Waterproof Boost / Vacuum Sensor

Surge Tank

Pressure Regulator

T-Fitting

Air Filter

Hose

### Is your gauge not sitting at zero?

To compensate for altitude you can zero out the gauge using the supplied key (or 2mm allen wrench).

With the key on - engine off, wait for the gauge needle to stop moving and slowly turn the screw until the needle sits at zero.

