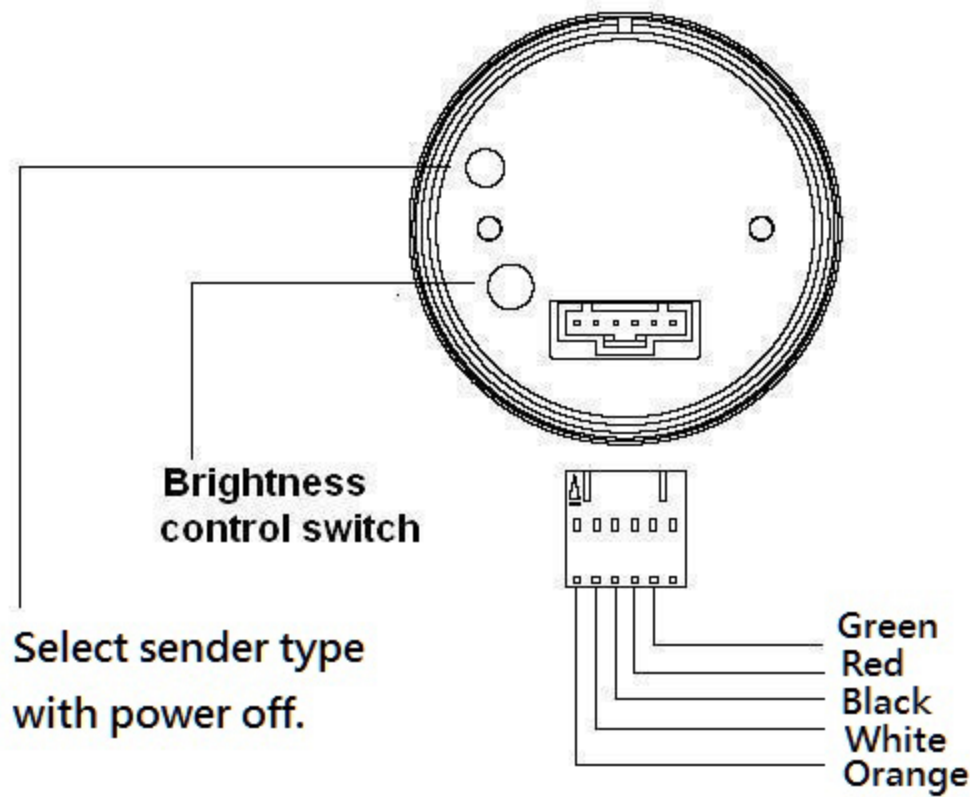


# EVO Series Digital Fuel Level Gauge

## Red/Blue Display



### Wiring Instructions:

- Red - 12v Accessory Power (+)
- Black - Negative Ground (-)
- Green - Attaches to fuel level output signal wire from ECU
- White - 12v Accessory Power (+)
- Orange - Head light switch (12v switch power)

**SENDER TYPE SELECTION SWITCH**

### Lighting Diagram

| Day Time | Night Time | Installation   |
|----------|------------|--|
| Blue     | Blue       | White — Connect to acc. Power<br>Amber — Do not connect          |
| Red      | Red        | White — Do not connect<br>Amber — Connect to acc. Power          |
| Blue     | Red        | White — Connect to acc. Power<br>Amber — Connect to parking lamp |
| Red      | Blue       | Amber — Connect to acc. Power<br>White — Connect to parking lamp |

1. Selecting number of Fuel Level sender type:  
Setting the sender type for 1~9 type operation is achieved simply by sliding the switch, located on back of the gauge body, to coincide with the appropriate number of fuel sender of the car.
2. switch position:  
See the sender select chart
3. The red or black wire **MUST** be removed before adjustment to the sender setting is made from the sender selector switch.

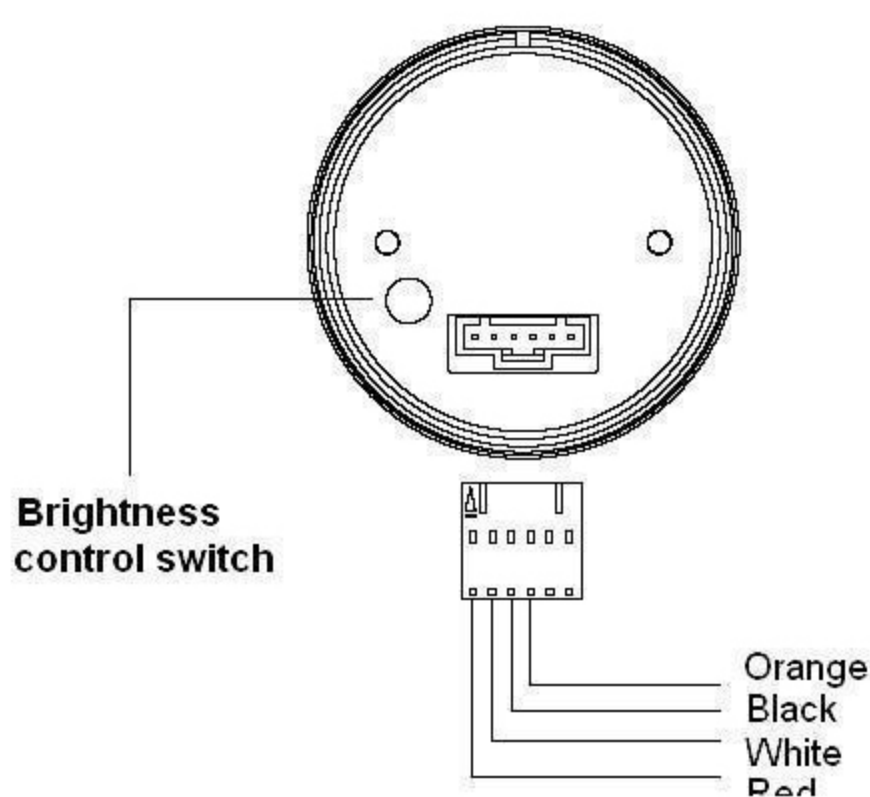
Sender Select Chart

| Sender Type                        | Resistance     | Switch |
|------------------------------------|----------------|--------|
| Ford Pre-'89, Chrysler             | 73 - 10 ohms   | -1-    |
| Ford '89 - Present                 | 16 - 158 ohms  | -2-    |
| GM Pre-'65                         | 0 - 30 ohms    | -3-    |
| GM '65 - Present*                  | 0 - 90 ohms    | -4-    |
| Auto Meter Sender                  | 240 - 33 ohms  | -5-    |
| Eclipse '90 - '02, Civic '88 - '00 | 107.5 - 7 ohms | -6-    |
| Civic '01 - Present                | 131 - 12 ohms  | -7-    |
| Japan sender                       | 0 - 120 ohms   | -8-    |
| Tank sender                        | 10 - 180 ohms  | -9-    |

\* Starting in '98, some GM models began using a different sender type.

# EVO Series Digital Volt Gauge

## Red/Blue Display



### Wiring Instructions:

- Red - 12v Accessory Power (+)
- Black - Negative Ground (-)
- White - 12v Accessory Power (+)
- Orange - Head light switch (12v switch power)

### Lighting Diagram

| Day Time | Night Time | Installation   |
|----------|------------|--|
| Blue     | Blue       | White — Connect to acc. Power<br>Amber — Do not connect          |
| Red      | Red        | White — Do not connect<br>Amber — Connect to acc. Power          |
| Blue     | Red        | White — Connect to acc. Power<br>Amber — Connect to parking lamp |
| Red      | Blue       | Amber — Connect to acc. Power<br>White — Connect to parking lamp |

