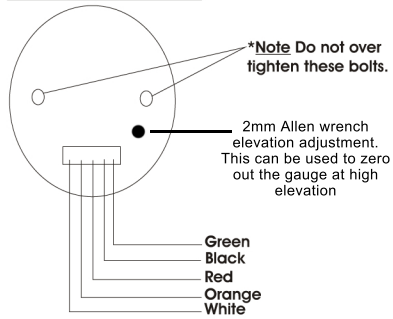


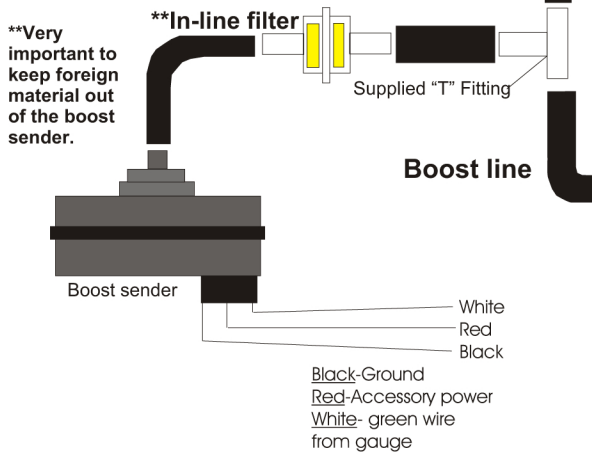
# Performance Boost Gauge

Amber/White Display (270° Scale)

## Electrical



Cut boost line and install supplied plastic "T" fitting. Connect "T" fitting to In-Line Filter with supplied hose. Then connect In-Line Filter to sender with supplied hose.



## Wiring Instructions

Red- 12v Accessory Power (also run to sender)

Black-Ground

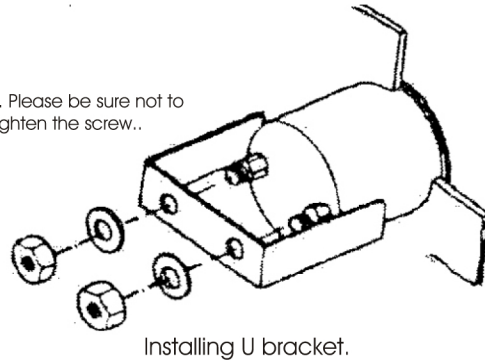
White- 12v Accessory power

Orange-Headlight switch

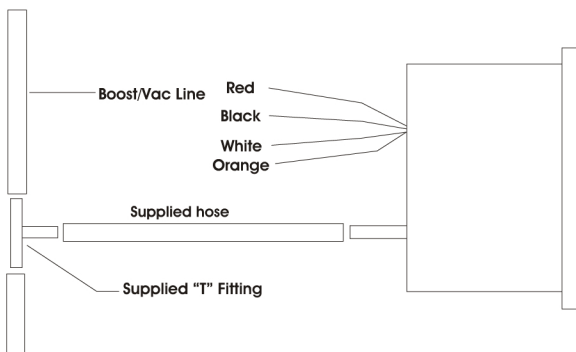
green- boost sender

(Connects to white wire from sender)

\*Note. Please be sure not to over tighten the screw..



## Mechanical



The instructions below will make the gauges white during the day and amber at night. For any other configurations please refer to the lighting diagram below.

## Wiring Instructions

Red- 12V Accessory power

Black - Ground

White- Accessory power on

Orange- Headlight switch

(Once you turn the headlights on the gauge turns amber)

## Lighting Diagram

Day Time	Night Time	
White	White	White — Connect to acc. Power Amber — Do not connect
Amber	Amber	White — Do not connect Amber — Connect to acc. Power
White	Amber	White — Connect to acc. Power Amber — Connect to parking lamp
Amber	White	Amber — Connect to acc. Power White — Connect to parking lamp

\*Most Common